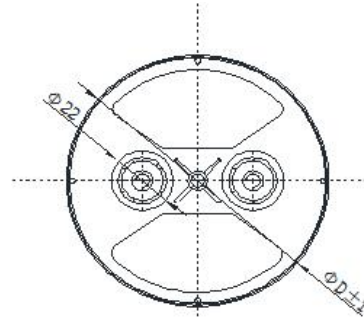
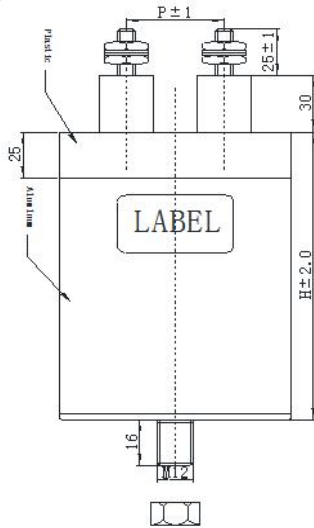




金屬化聚丙烯薄膜電容 (SNG) Sunbber METALLIZED POLYPROPYLENE FILM CAPACITOR (SNG) SUNBBER



產品結構 Product structure

- ◆ 電介子：金屬化聚丙烯薄膜
Dielectric: metallized polypropylene film
- ◆ 引出電極：鍍錫銅端子
Lead-out electrode: Tin Copper Terminal
- ◆ 封裝：鋁金屬外殼，樹脂填充
Encapsulation: aluminum case, resin filled

產品特點 Product characteristics

- ◆ 高電容密度
High capacitance density
- ◆ 高電壓 高電流
High Voltage, high current
- ◆ 優良的自愈性
Excellent self-healing

推薦應用 Recommended applications

- ◆ GTO 保護
GTO protection
- ◆ 隔直
Next to each other
- ◆ 大電流應用
High current applications

電氣特性 Electrical characteristics

引用標準 Reference Standard	IEC61071/GBT17702-2021 AEC-Q200
工作溫度 Operating temperature	-40 ~ +85°C
容量範圍 Capacity Range	1.5 ~ 11.0μf
額定電壓 Rated voltage	2400VDC
容量誤差 Capacity error	±5% (J) ±10% (K)
損耗因素 Loss Factor	0.0005 @ 1KHz 20°C±5°C
預期壽命 Life expectancy	100000hrs @ Un , θhs=70°C



極間電壓 Inter-pole voltage	1.5Un (DC) (10s , 20°C±5°C)
極殼電壓 Polar shell voltage	Un ≤1500Vdc , 3000Vac (10s , 50Hz , 20°C±5°C) Un >1500Vdc , (1.5Un+1000) Vac (10s , 50Hz , 20°C±5°C)
絕緣電阻 Insulation Resistance	(IR × Cn) 30000s (20°C , 100Vdc , 1min)
最高使用海拔 Maximum altitude used	2000m

TYPE: SNP

SPECIFICATION

ELECTRICAL CHARACTERISTICS

技術參數 Technical data

Un (VDC)	CAP (μF)	Dimension (mm)			I _{rms} @45°C@10KHz A	ESR @1KHz (mΩ)	Ls (nH)	Weight (kg)	I _{peak} (A)
		L	D	P					
Un 2400VDC , Urms 1200VAC , Upeak 1680V, Us 3600V									
2400	1.5	76	70	32	35	1.9	< 50	0.47	1200
	2.2	76	70	32	40	1.4	< 50	0.47	1760
	3.0	86	70	32	45	1.1	< 50	0.55	2400
	4.7	76	125	32	55	0.8	< 50	0.76	3760
	6.0	86	125	32	65	0.7	< 50	0.96	4800
	11.0	116	130	50	80	05	< 50	1.73	8800

壽命曲線圖 Expected Lifetime curve

